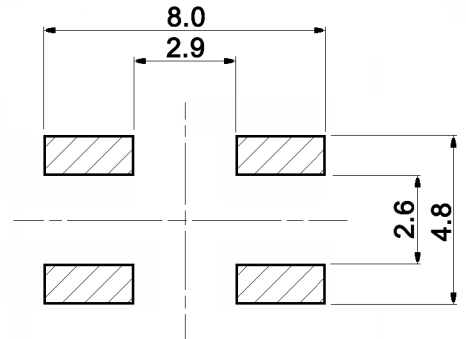


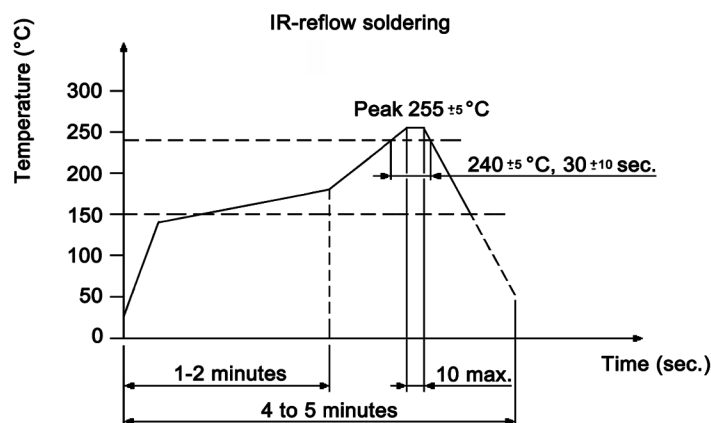
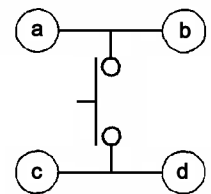
**SURFACE MOUNT DIMENSION**



**Specifications:**

- Contact rating: 350 mA, 12 V DC
  - Contact resistance: 100mOhm max.
  - Insulation resistance: 100MOhm min. at 100V DC for 1 minute
  - Dielectric strength: 500V AC (50/60Hz, 2mA) for 1 minute
  - Operating temperature: -25°C to +80°C
  - Mechanical life: 100 000 cycles
  - Electrical life: 20 000 cycles
  - Operating force: 2.5 +/-0.7 N
  - Material: Cover: stainless steel, natural  
Stem: aluminum, natural  
Contact clip: stainless steel, silver plated 0.5µm  
Terminal: brass, silver plated 0.5µm  
Membrane: polyamide, natural
- Soldering conditions:** 2 passes max.

**CIRCUIT DIAGRAM**



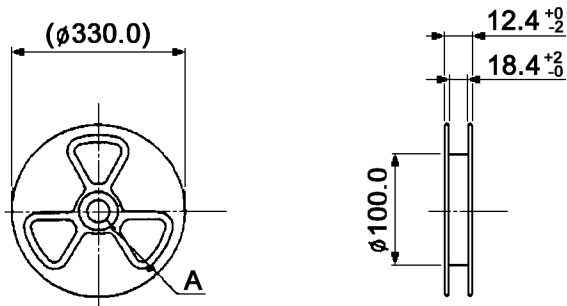
Compliance: RohS III (2015/863/EU)

Tolerances: up to 10: ±0.2mm above 10-50: ±0.3mm		Date	Name	<h1>TSS 507</h1>
		03/09	dr	
Electrical life	08/24	dr		
Contact rating	08/24	dr		
Contact rating	10/17	dr		<h1>30 02 64</h1>
Operating temperature	06/17	dr		
Sheet review	03/09	dr		Page
Modifications	Date	Name		1/2

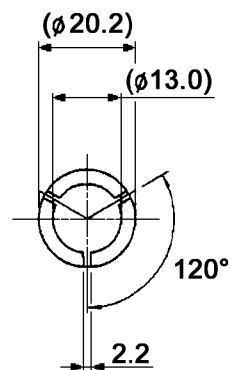
**knitter-switch**

Packaging:

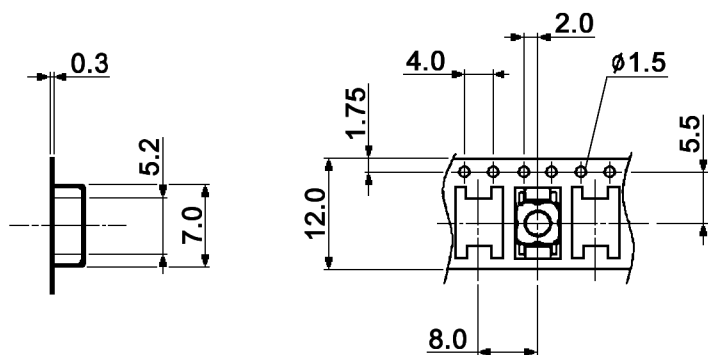
REEL



DETAIL A



CARRIER TAPE



COVER TAPE



Packaging unit: 4 000 pcs. / reel  
 Compliance: RohS III (2015/863/EU)

Tolerances: up to 10: ±0.2mm above 10-50: ±0.3mm		Date	Name
		03/09	dr
Electrical life	08/24	dr	
Contact rating	08/24	dr	
Contact rating	10/17	dr	
Operating temperature	06/17	dr	
Sheet review	03/09	dr	
Modifications	Date	Name	

**TSS 507**

**30 02 64**

**knitter-switch**

Page

2/2